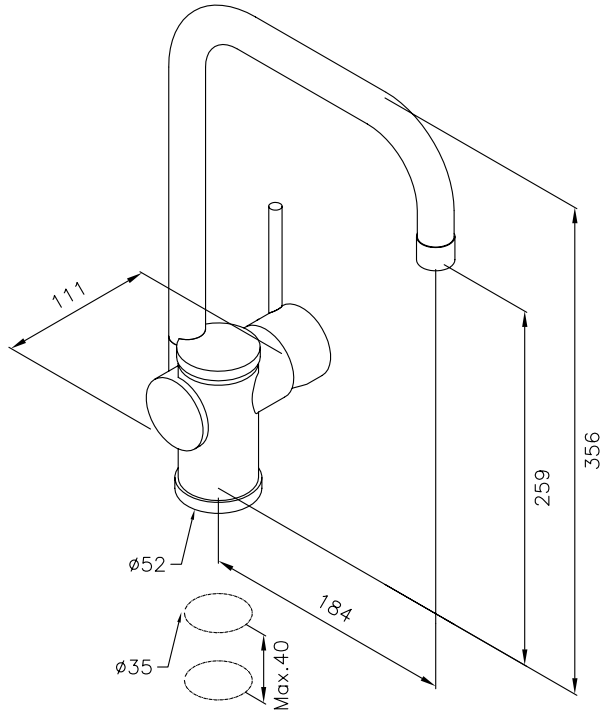


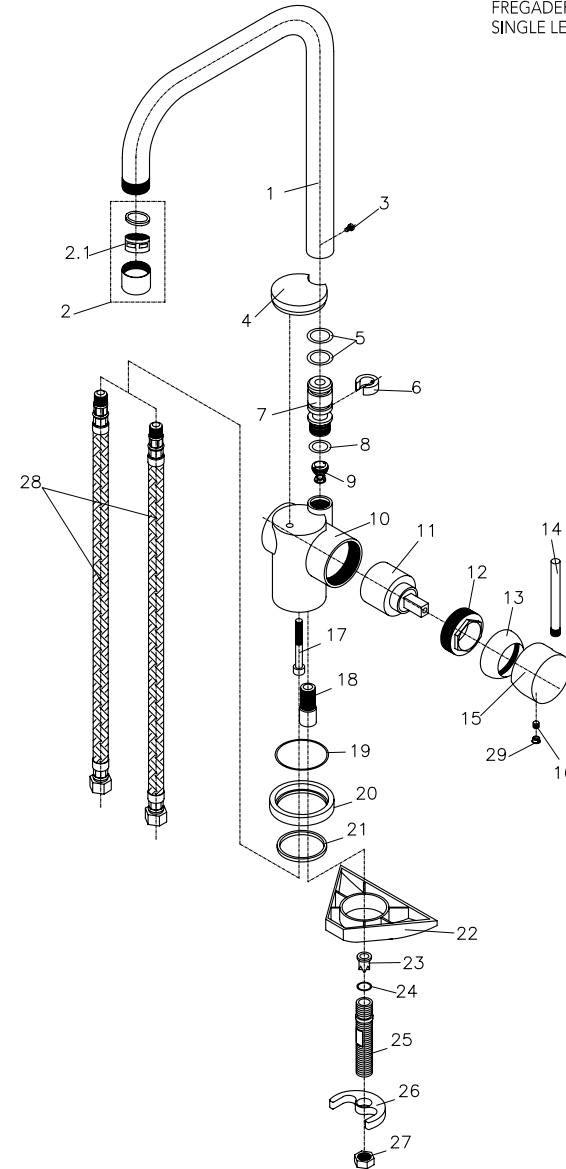
041.606|666

dimensiones
dimensions



041.666

FREGADERA MONOMANDO PARA DUCHITA
SINGLE LEVER KITCHEN MIXER WITH SWIVEL SPOUT FOR SIDESPRAY



| Item | Cant. Pcs. | Codigo Code | Observ. |
|------|------------|-------------|-------------------|
| 1 | 1 | 825.494 | |
| 2 | 1 | 600.508 | |
| 2.1 | 1 | 501.395 | OPTIONAL TIPE "U" |
| 3 | 1 | 870.050 | OPCIONAL/OPTIONAL |
| 4 | 1 | 825.536 | |
| 5 | 2 | 885.003 | |
| 6 | 1 | 810.044 | |
| 7 | 1 | 825.483 | |
| 8 | 1 | 885.080 | |
| 9 | 1 | 600.603 | |
| 10 | 1 | 600.632 | |
| 11 | 1 | 500.460 | |
| 12 | 1 | 870.084 | |
| 13 | 1 | 810.111 | |
| 14 | 1 | 825.485 | |
| 15 | 1 | 825.484 | |
| 16 | 1 | 870.058 | |
| 17 | 1 | 875.074 | |
| 18 | 1 | 870.112 | |
| 19 | 1 | 885.114 | |
| 20 | 1 | 825.591 | |
| 21 | 1 | 885.119 | |
| 22 | 1 | 810.096 | |
| 23 | 1 | 810.159 | |
| 24 | 1 | 885.117 | |
| 25 | 1 | 870.055 | |
| 26 | 1 | 815.134 | |
| 27 | 1 | 870.056 | |
| 28 | 1 | 600.501 | |
| 28 | 1 | 600.501X | 9/16" |
| 29 | 1 | 810.186 | |

