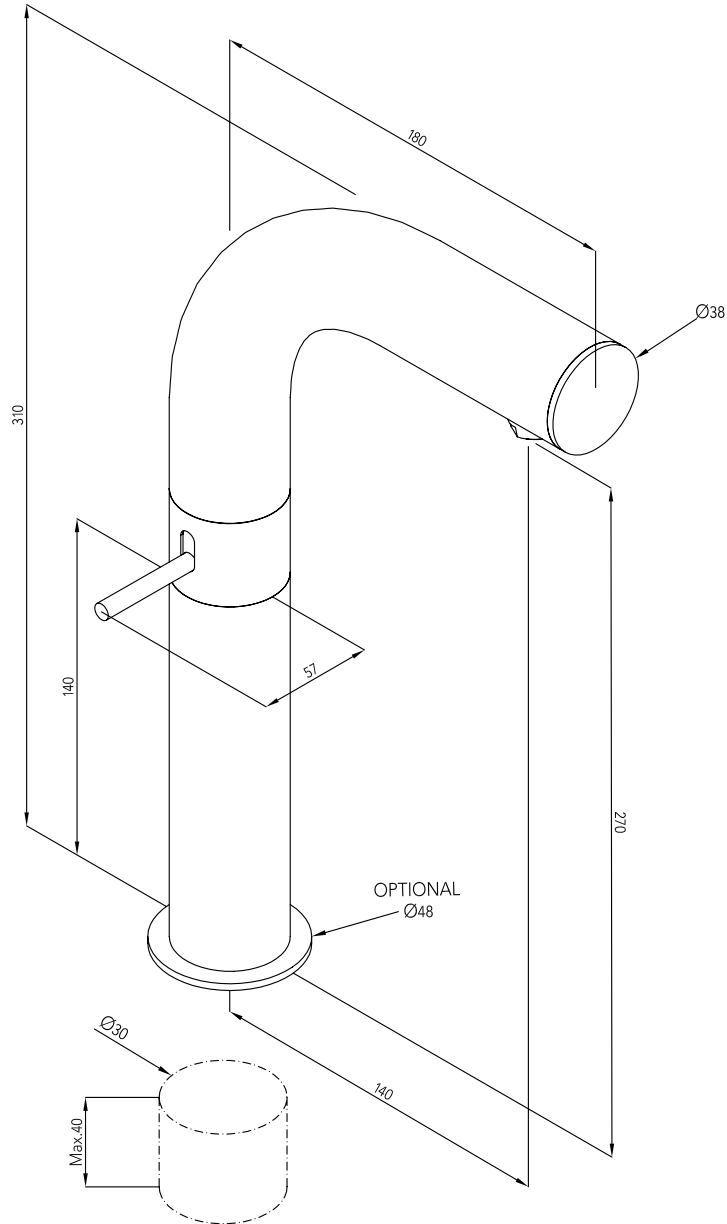


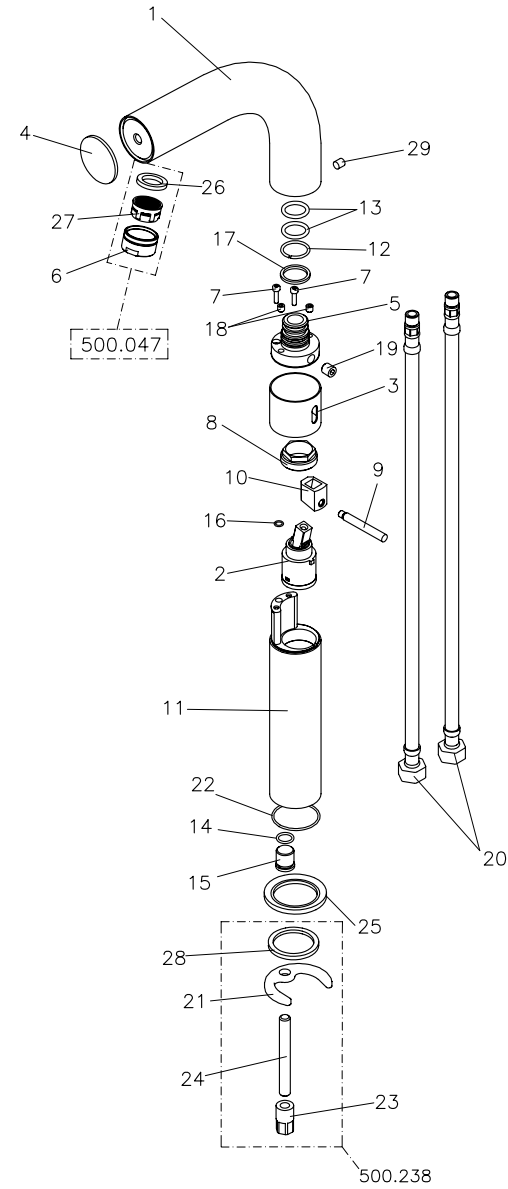
038.108

dimensiones  
dimensions



038.108

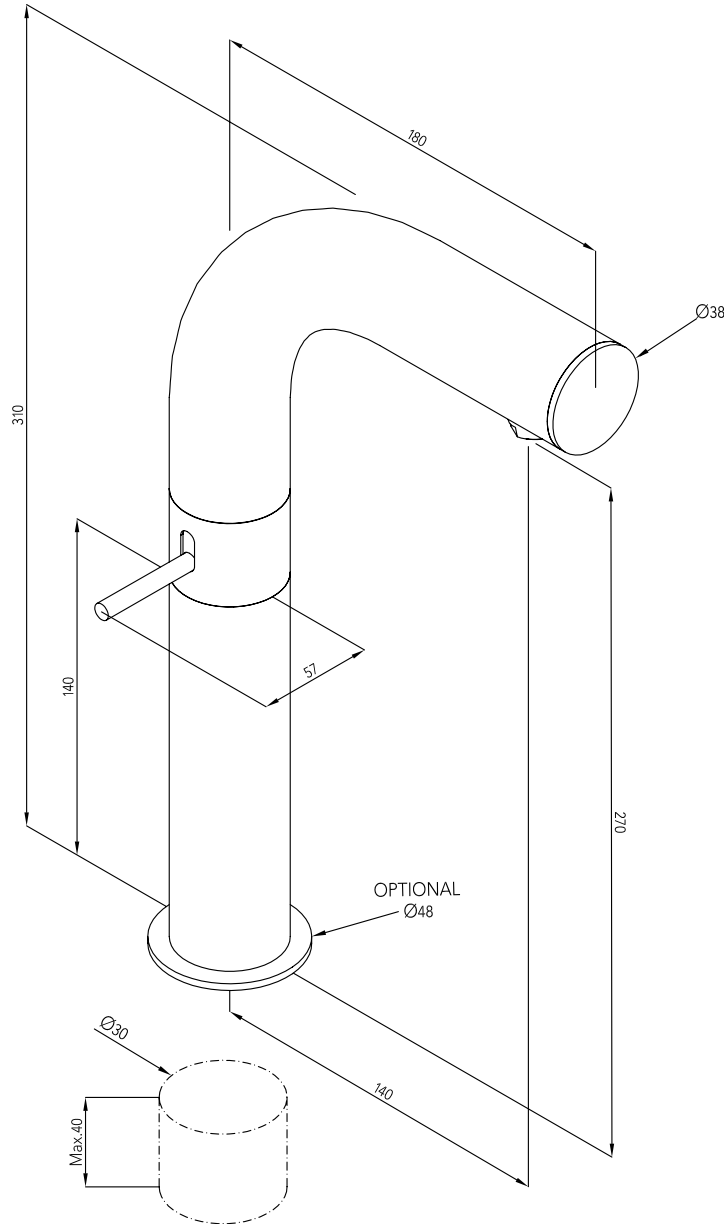
lavabo bowl  
bowl basin



Item	Cant. Pcs.	Codigo Code	Observ.
1	1	825.653	
2	1	600.015	
3	1	825.667	
4	1	825.654	
5	1	825.655	
6	1	100.047	
7	2	870.114	
8	1	825.664	
9	1	825.666	
10	1	825.669	
11	1	825.671	
12	1	880.011	
13	2	885.003	
14	1	885.048	
15	1	825.420	
16	1	885.123	
17	1	810.174	
18	2	870.058	
19	1	870.119	
20	1	600.501	
20	1	600.501X	UNEF 9/16 24H
21	1	875.023	
22	1	885.128	
23	1	870.043	
24	1	870.059	
25	1	825.736	optional
26	1	885.074	
27	1	500.047	
28	1	885.039	optional
29	1	870.139	optional U.S.A.

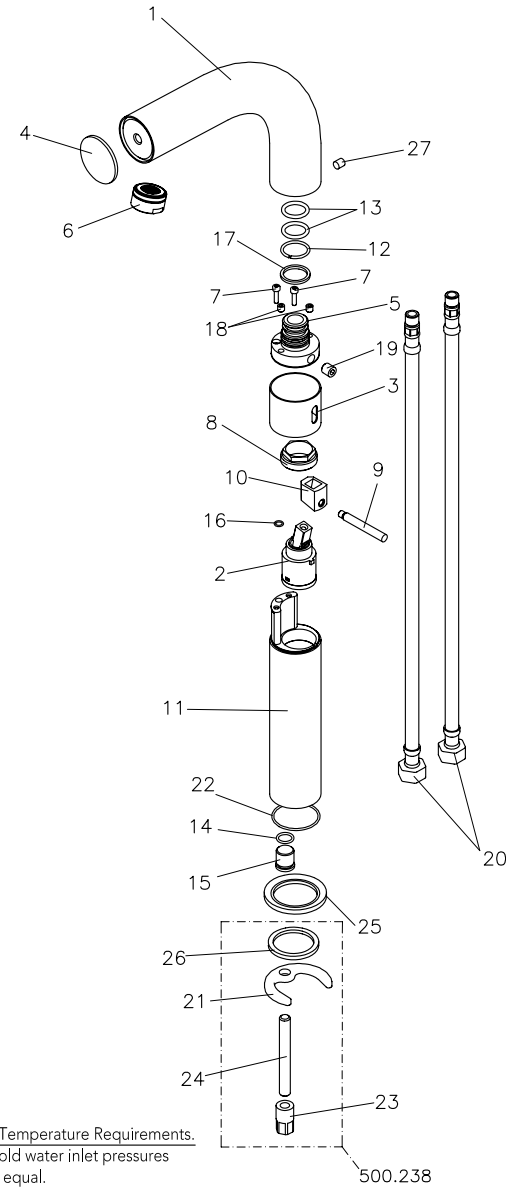
038.108

dimensiones  
dimensions



038.108 Q40

lavabo bowl  
bowl basin



Item	Cant. Pcs.	Codigo Code	Observ.
1	1	825.653	
2	1	600.015	
3	1	825.667	
4	1	825.654	
5	1	825.655	
6	1	600.568	
7	2	870.114	
8	1	825.664	
9	1	825.666	
10	1	825.669	
11	1	825.671	
12	1	880.011	
13	2	885.003	
14	1	885.048	
15	1	825.420	
16	1	885.123	
17	1	810.174	
18	2	870.058	
19	1	870.119	
20	2	500.318.Q40	
21	1	875.023	
22	1	885.128	
23	1	870.043	
24	1	870.059	
25	1	825.736	optional
26	1	885.039	optional
27	1	870.139	optional U.S.A.

Water efficient Tapware  
Nominal Flowrate=5L/min

Pressure & Temperature Requirements.

- Hot and cold water inlet pressures should be equal.
- Inlet pressure range: 150-1000 kPa
- New regulation: 500kPa maximum operating pressure at any outlet within a building. (Ref. AS/NZS 3500.1-2003, Clause 3.3.4)
- Maximum hot water temperature: 80°C

Important information

- Mixer is design to have 5L/min average flow rate.
  - Not suitable for gravity feed systems.
  - Isolating stop taps are recommended to be fitted to the inlet connections.
  - All pipework must be thoroughly flushed prior to installation, as foreign materials may block the flow regulating device and reduce the flow of water.
- Note: Aerator insert housing must be retightened to prevent removal by hand.